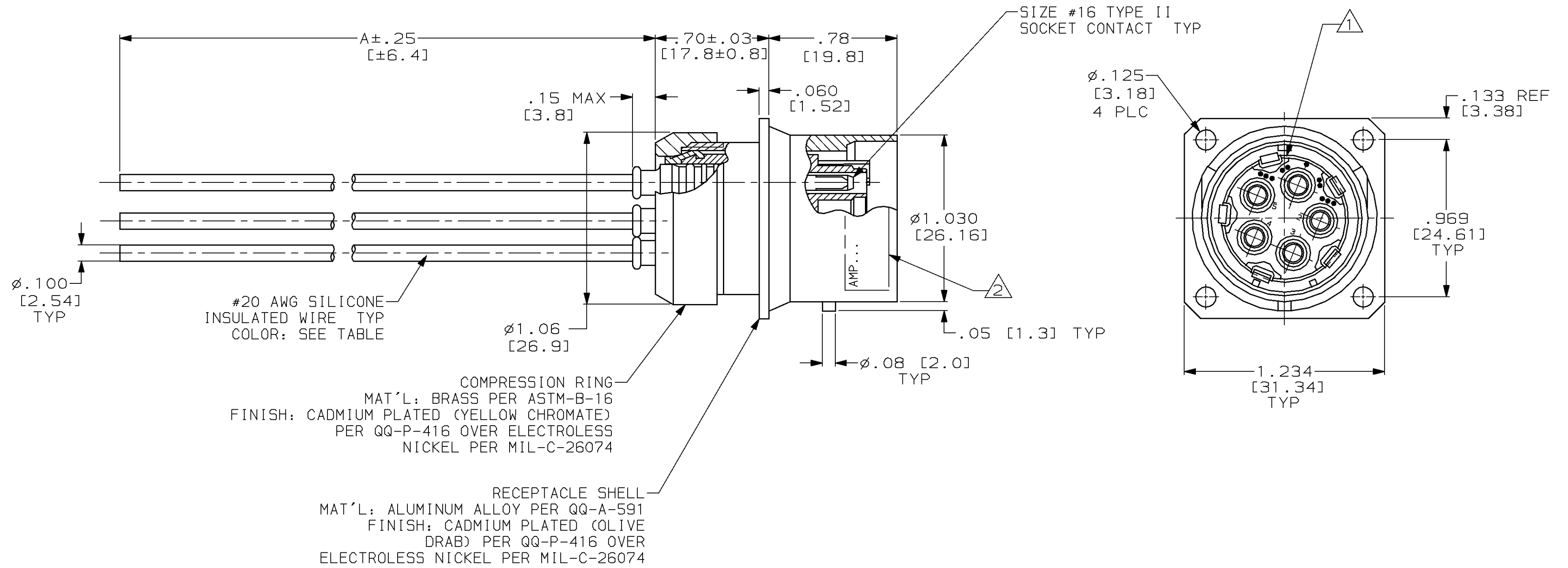


THIS DRAWING IS UNPUBLISHED. RELEASED FOR PUBLICATION
 © COPYRIGHT 19 BY AMP INCORPORATED. ALL RIGHTS RESERVED.

LOC		DIST		REVISIONS			
P	LTR	DESCRIPTION		DATE	DWN	APVD	
DF	SO	F		REV & REDRAWN; 0600-5878-96	11-96	CT	CS

WIRING TABLE	
POSITION NO.	WIRE COLOR
1	BROWN
2	RED
3	ORANGE
4	YELLOW
5	GREEN



- 1 DOUBLE DOT FOR NORMAL POLARIZATION LOCATED UNDER MAJOR KEYWAY.
- 2 AMP INFO MARKED PER MIL-STD-130.
- 3. MAXIMUM MOUNTING PANEL THICKNESS: .100 [2.54].
- 4. WORKING VOLTAGE IS 4.5 KVDC MAX WHEN PROPERLY MATED.

OBSOLETE	6.00 [152.4]	863982-2
	24.00 [609.6]	863982-1
	DIM A	PART NO.

THIS DRAWING IS A CONTROLLED DOCUMENT.		DWN	C. C. THOMAS	11-18-96	AMP Incorporated Harrisburg, PA 17105-3608
DIMENSIONS:		CHK	C. SHELLY	11-19-96	
INCHES [mm]		APVD	C. SHELLY	11-19-96	
		PRODUCT SPEC			
TOLERANCES UNLESS OTHERWISE SPECIFIED:		APPLICATION SPEC			NAME
0 PLC ±-		-			CABLE ASSY, 5 POSN, LGH
1 PLC ±-		-			SIZE
2 PLC ±.02 [0.5]		-			A2
3 PLC ±.010 [0.25]		-			CAGE CODE
4 PLC ±-		-			00779
ANGLES ±-		-			DRAWING NO
FINISH -		-			C-863982
MATERIAL -		-			RESTRICTED TO
		WEIGHT -			-
		CUSTOMER DRAWING			SCALE
					2:1
					SHEET
					1 OF 1
					REV
					F